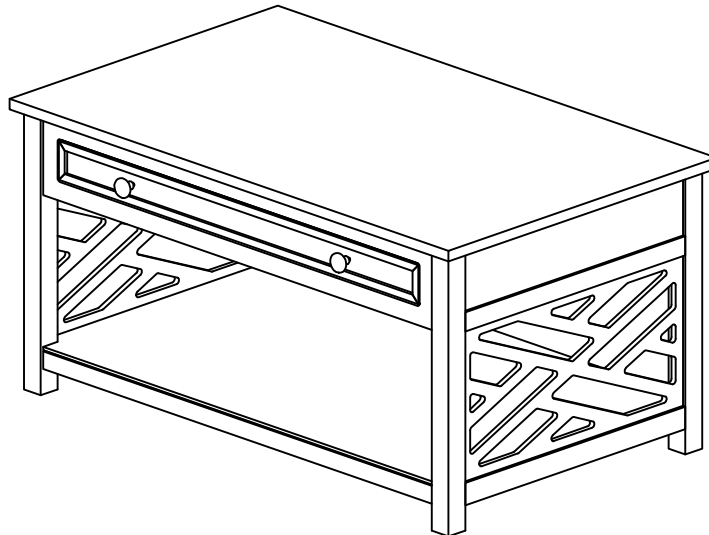


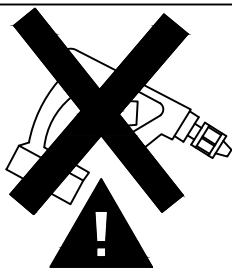
ASSEMBLY INSTRUCTION

COFFEE TABLE WITH DRAWER

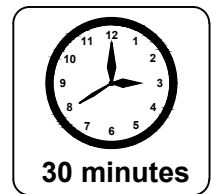
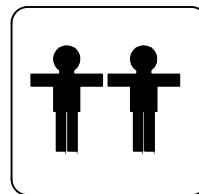


REPLACEMENT PARTS

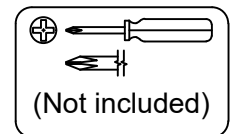
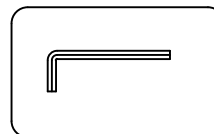
Please do not contact the company purchased from as we can help you faster.
Order replacement parts and hardware at " www.boltonfurniture.com "



. Use of power tool to assemble this product will invalidate any claim and damage this product making it unsafe !!!
. Please assemble on a clean soft surface to avoid damage.

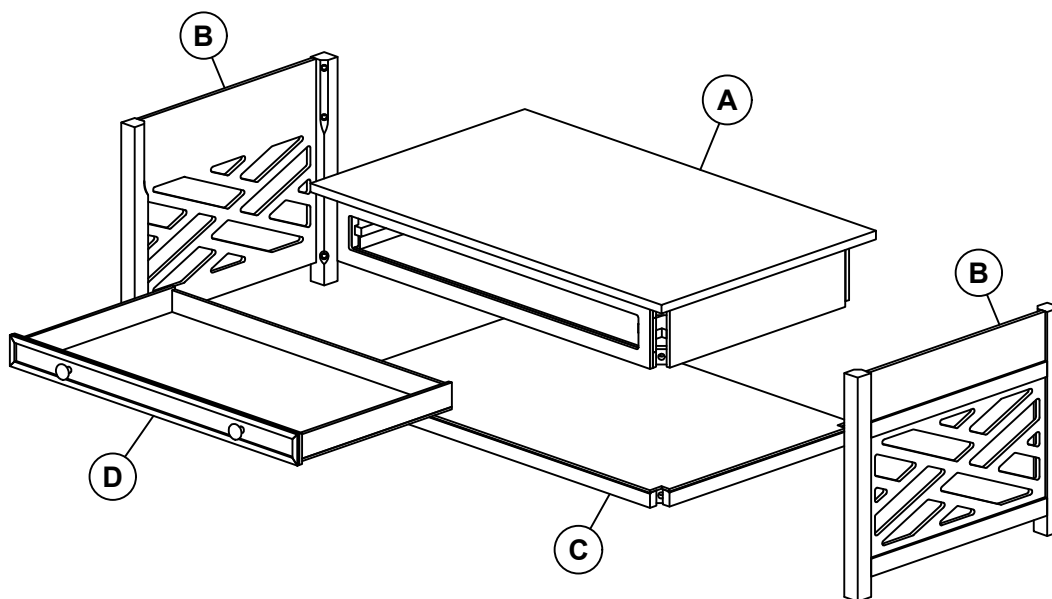


Tools Required

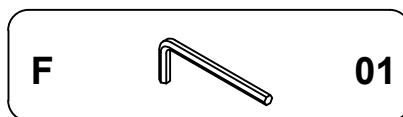
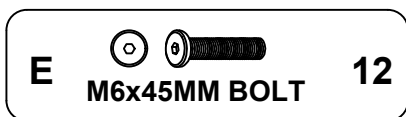


www.boltonfurniture.com

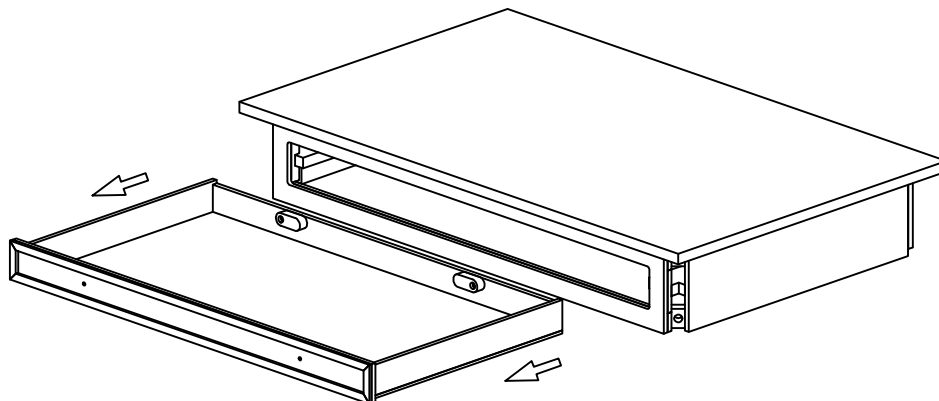
Part list - Coffee Table



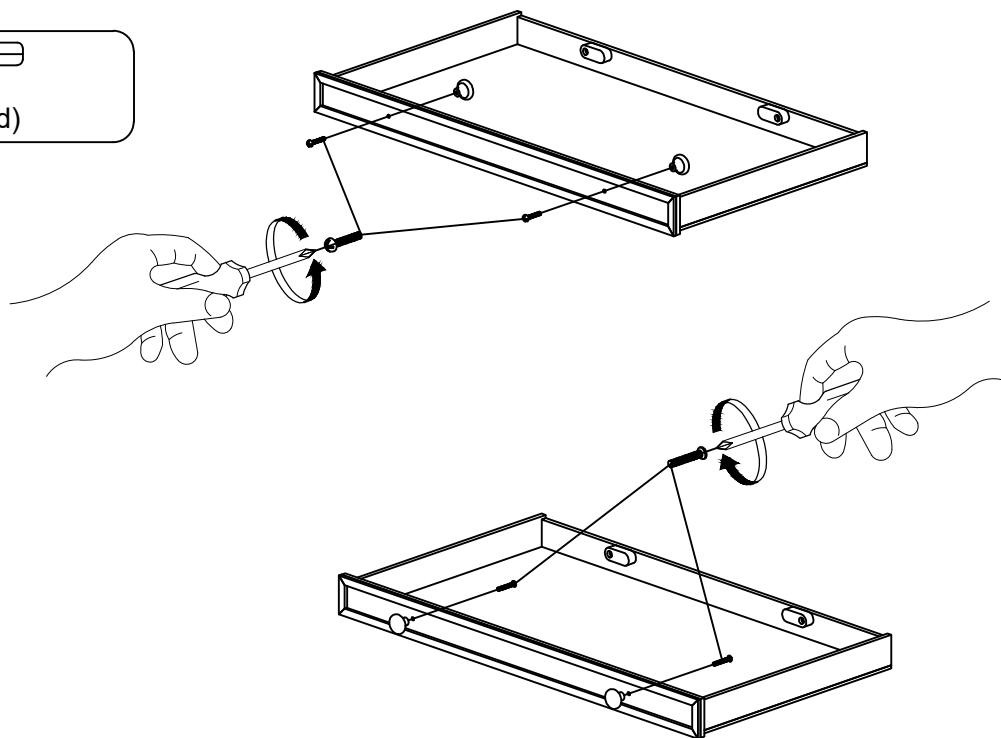
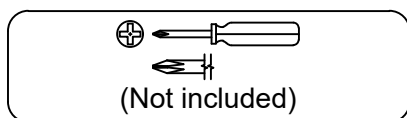
Identifying the hardware-Identify the hardware using the illustrations below



Step 01




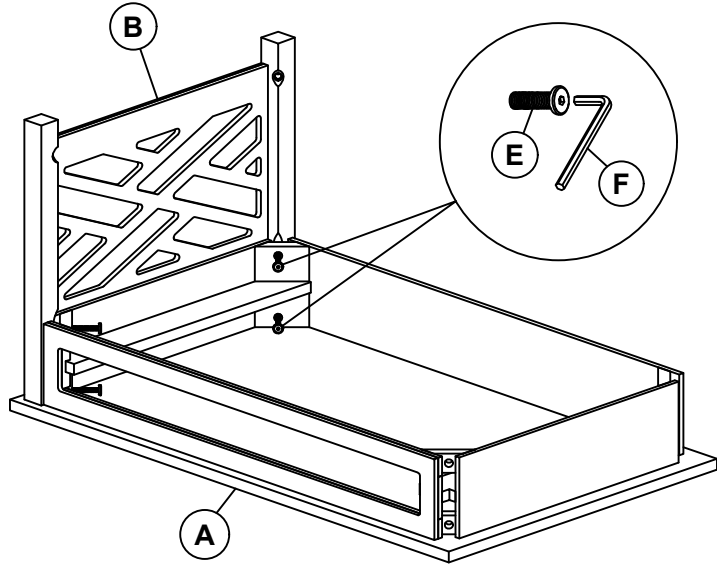
Step 02



Step 03

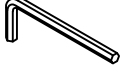
E  **04**
M6x45MM BOLT

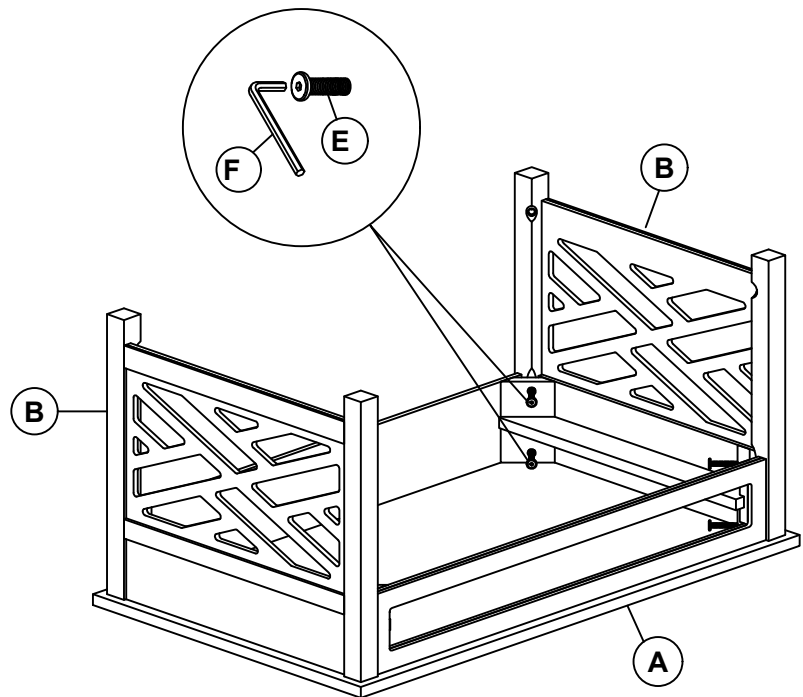
F  **01**



Step 04


E  **04**
M6x45MM BOLT

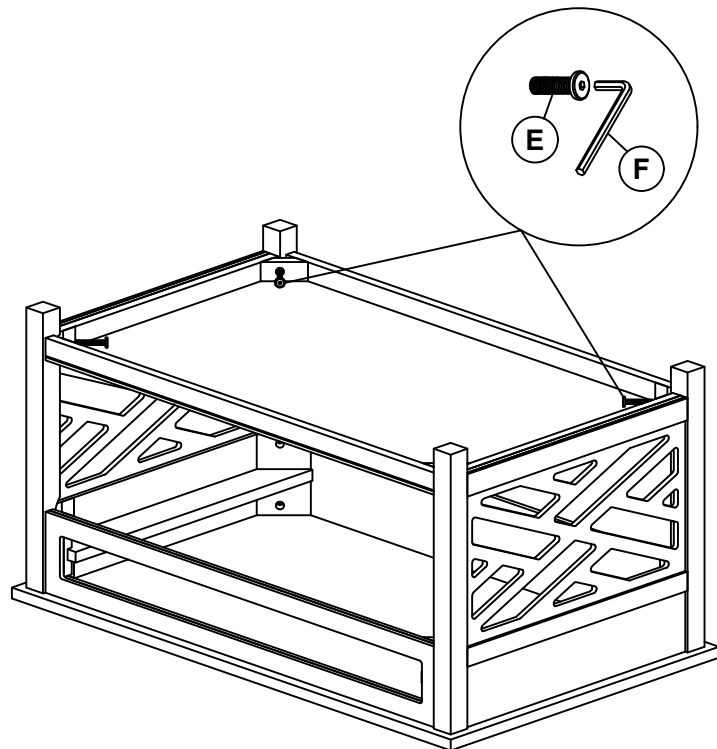
F  **01**



Step 05

E  **04**
M6x45MM BOLT

F  **01**



Step 06

